

ARISMD

Installation Guide



1. Introduction

1.1. Installation Highlights

1.1.1 Installation

ARISMDxxx – Active vibration isolation modular system with number of independent individually managed and controlled vibration isolation units (isolators).

ARISMDxxx installation is performed by K&S engineers. Once the system is installed, initialized and optimized its typically does not require any re-tuning.

1.1.2 General **ARISMD** installation diagram

Each one of **ARISMD** modules are absolutely independent and standalone.

ARISMD POCOM BOX, which supplied together with the system provides centralized Power Supply to each one of the modules and Communication LAN Switch capabilities, allowing user to connect to all devices together and each of the modules separately. Two cables only (supplied together with the system) connected between each module and **ARISMD POCOM BOX** (Figure 1)

- Power Cable
- LAN Cable



Figure 1

2. Unpack the System

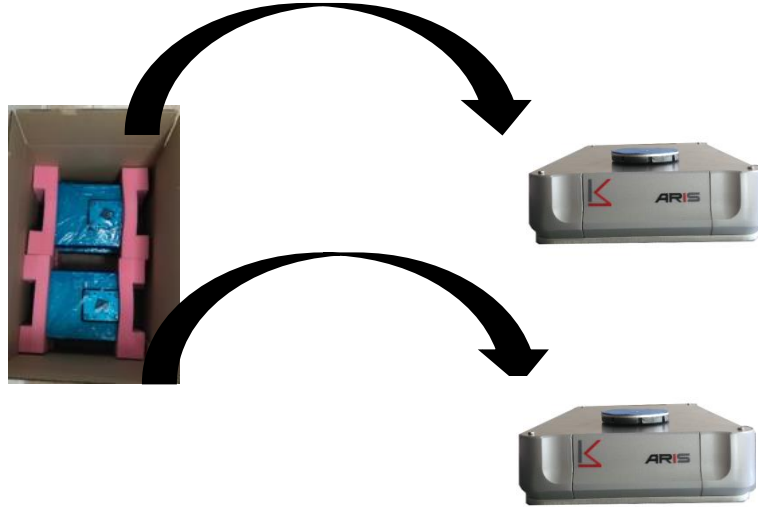


Figure 2

Unpack all **ARISMD** isolators and **ARISMD POCOM BOX**

3. Mechanical Installation Instruction

Step 1:

Attached Loading Plate to **ARISMD** Isolator (Supplied together with the system) - Figure 3

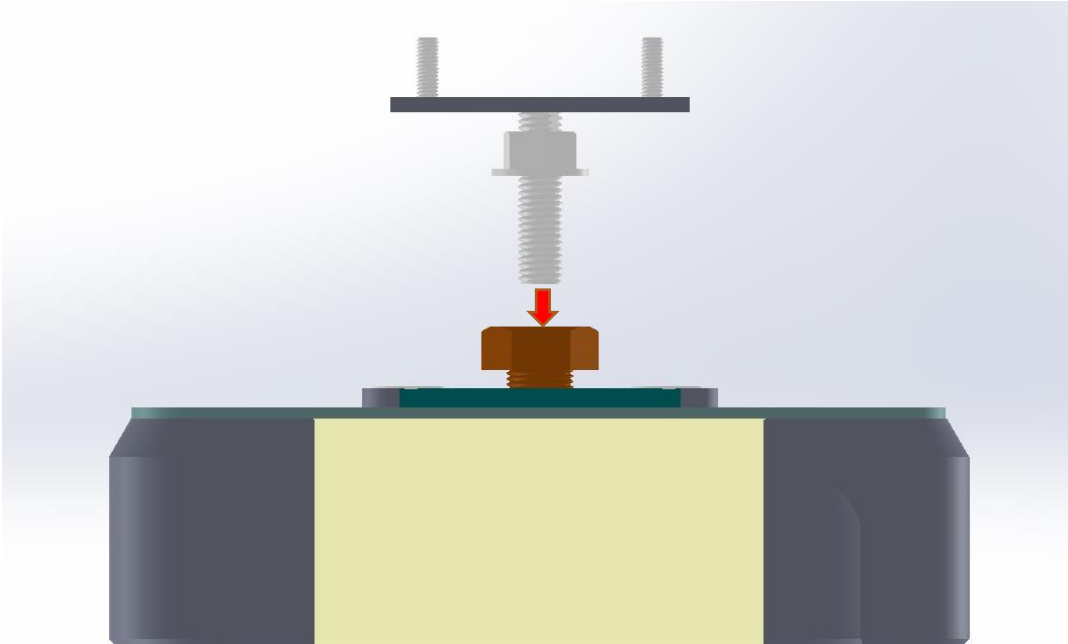


Figure 3

Step 2:

Insert Isolators under the machine frame in appropriate points. **No Need to lift the machine!** Figure 4



Figure 4

Step 3:

Attach Loading Plates to Machine Frame in all relevant points. Figure 5

Attachment points defined by K&S Engineer's prior installation

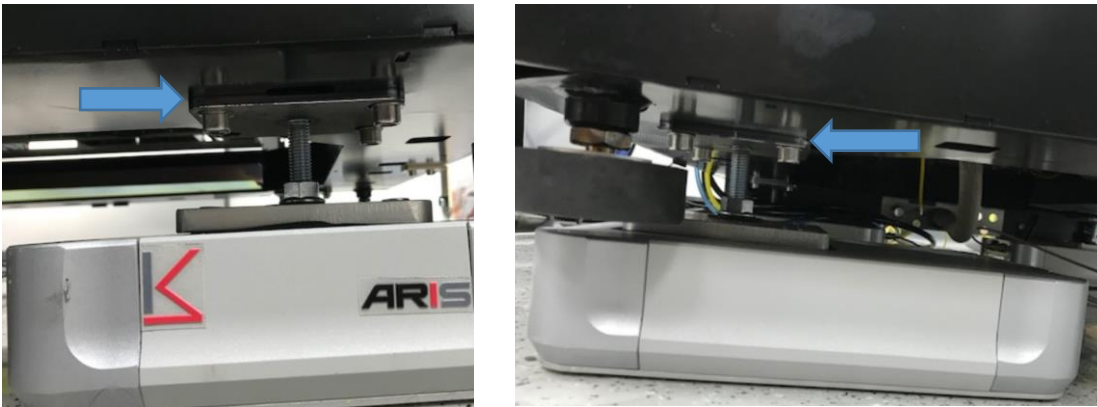


Figure 5

Step 4:

Adjust Leveling by M12 locking nuts to each **ARISMD** Isolator. Figure 6

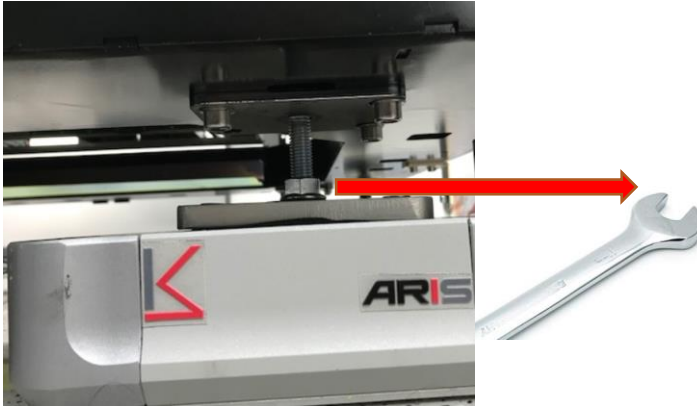


Figure 6

Step 5:

Using External Leveling bubble or similar tool ensure that the machine is leveled by adjusting leveling one by one for all **ARISMD** Isolators. Figure 7



Figure 7

Step 7:

Connect LAN and Power Cable for each one of Isolators and plug in to **ARISMD POCOM BOX** Figure 1